

## Finalmente Sink

独立式系列

: 7555 009



### 细节

类型 Sink

材料 AISI 316 L 不锈钢

质地 磨砂

尺寸 (打开) 327 x 78 x (高)178厘米

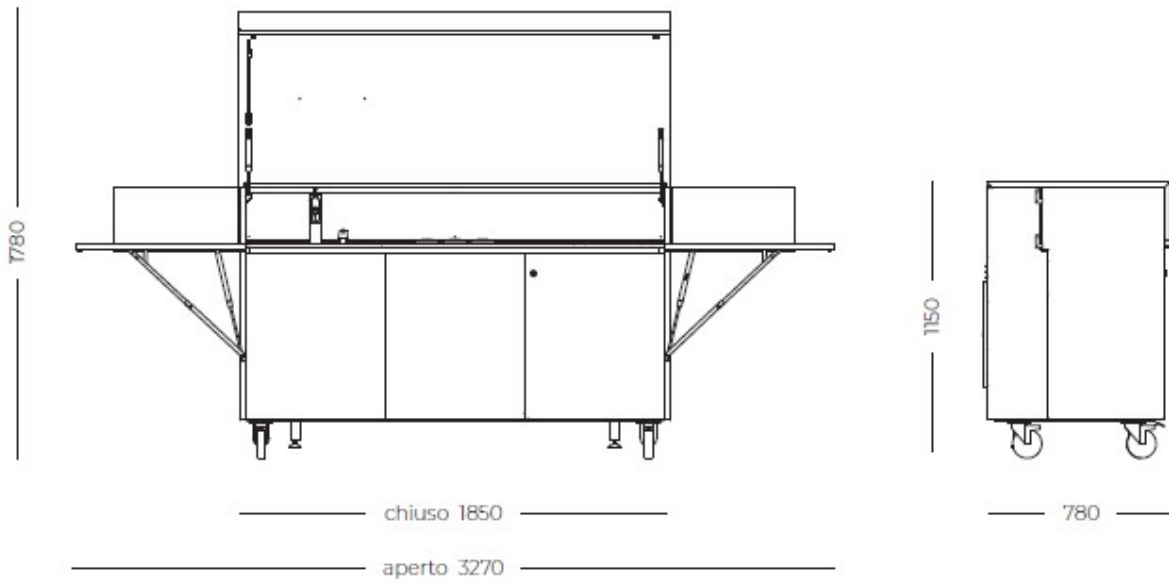
尺寸 (关闭) 185 x 78 x (高)115厘米

Front door equipment 60l undercounter refrigerator (class C)  
Compartment with shelf in HPL / stainless steel  
Pull-out drawer with differentiated story with 4 compartments

Wheels Yes

Foster integrated products 1011 050 - Milano bowl 462 x 400 mm welded  
8459 000 - F2000 mixer with extractable spout  
8530 000 - Round dispenser

重量	295 Kg
Framework	Lid with anti-closing locking system 2 opening side shelves 4 wheels (2 with locking system) 2 adjustable feet for laying on the ground
灯光	3 LED lights (normal with twilight / motion sensor) with rechargeable battery and USB connector
Rear features	Electrical panel IP66 32A Wall-mounted single-phase plug 230V 32A IP66 Hot and cold water connection
Integrated equipped channel	Cup holder and plate holder 2 round containers of different depths Retractable socket holder (230V 16A IP66)
Accessories supplied	Waterproof PVC sheet (650 g / m2)





## EQUIPMENT



水槽 Foster Milano

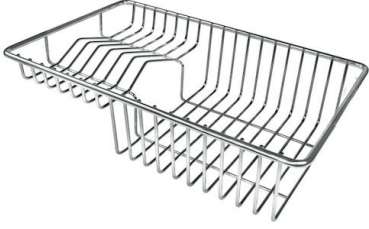


皂液器 Round



龙头 F2000 - Basso

## OPTIONAL ACCESSORIES



不锈钢背板



木砧板



玻璃砧板



黑格架